

CONTENTS

1. DESCRIPTION AND APPLICATION OF THE DEVICE	3
1.1 TECHNICAL DATA.....	3
2. GENERAL RECOMMENDATIONS AND PRECAUTIONS	5
3. RECESSED INSTALLATION DIAGRAM	6
3.1 ELEMENTS OF A SINGLE-PHASE TRACK SYSTEM FOR RECESSED INSTALLATION....	7
3.2 ELEMENTS OF A SINGLE-PHASE TRACK SYSTEM FOR RECESSED INSTALLATION..	8
3.3 INSTALLATION DIAGRAM FOR RECESSED SINGLE-PHASE TRACK.....	9
4. SURFACE-MOUNTED AND SUSPENDED SINGLE-PHASE TRACK DIAGRAM	10
4.1 ELEMENTS OF A SINGLE-PHASE TRACK SYSTEM FOR SURFACE-MOUNTED AND SUSPENDED INSTALLATION.....	11
4.2 CONNECTORS FOR MOUNTING SUSPENDED LAMPS ON A SINGLE-PHASE TRACK.....	12
4.3 ELEMENTS OF A SINGLE-PHASE TRACK SYSTEM FOR SURFACE-MOUNTED AND SUSPENDED INSTALLAON.....	14
5. INSTALLATION PLAN FOR A SURFACE-MOUNTED SINGLE-PHASE TRACK	15
6. INSTALLATION PLAN FOR A SURFACE-MOUNTED SINGLE-PHASE TRACK IN SUSPENDED WAY	16
7. ADDITIONAL LOADS AND LOCATION OF FASTENERS	17
8. CONNECTION OF A SINGLE-PHASE TRACK TO POWER SUPPLY	18
9. ADDITIONAL INFORMATION	19
9.1 TROUBLESHOOTING.....	19
9.2 STORAGE	20
9.3 TRANSPORTATION.....	20
9.4 DISPOSAL	20
9.5 CERTIFICATION.....	20
9.6 WARRANTY	20
9.7 MANUFACTURER.....	20
9.8 IMPORTER.....	20

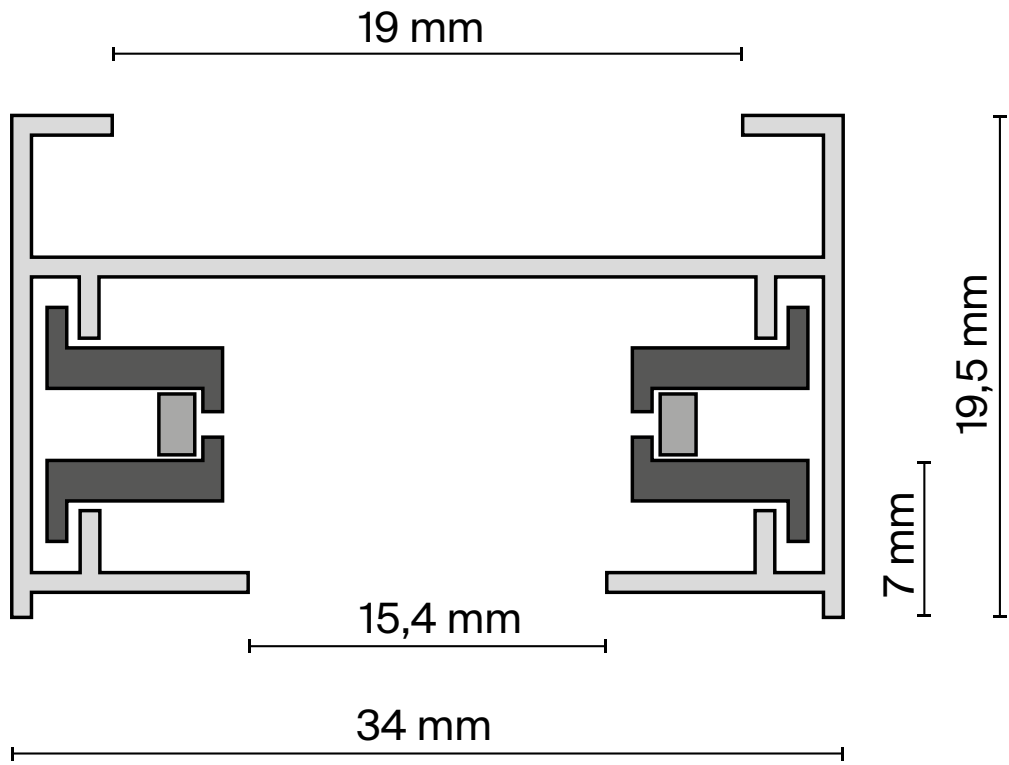


1. DESCRIPTION AND APPLICATION OF THE DEVICE

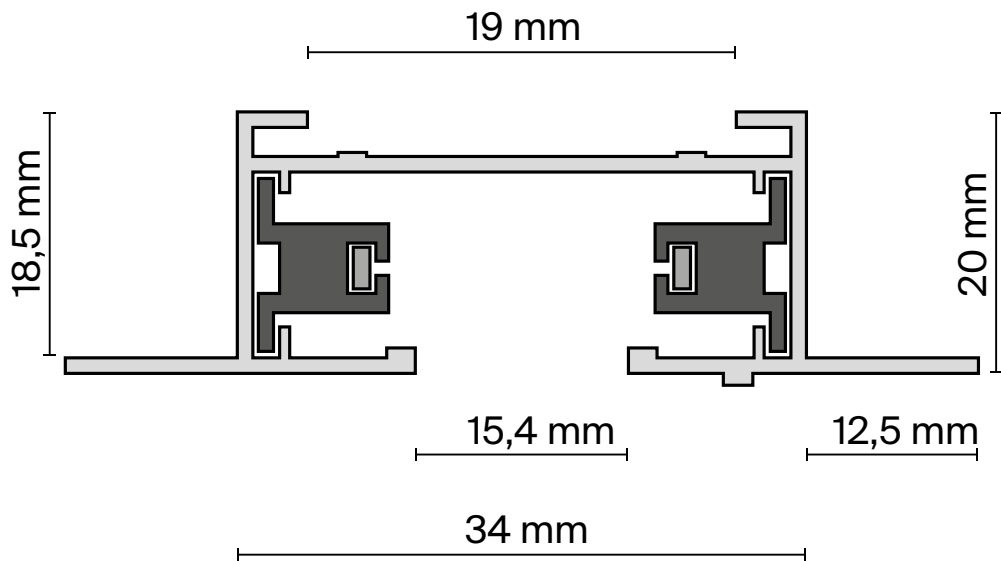
The track is the basis of the track lighting system. It is designed for mounting and supplying power to track luminaires in AC networks with a rated voltage of 230V and a frequency of 50Hz. The track is for internal use only in a non-aggressive environment free of aerosol particles and where a temperature range of 0°C to +50°C is guaranteed. The relative humidity should be equal to less than 80 percent. There are options of wall and ceiling mounting made of normally flammable materials. It is possible to install the device using cable pendants. The track is supplied in 1 and 2 metre segments. It is possible to cut segments and form configurations of various shapes using connectors.

1.1. TECHNICAL DATA

Size	1 m	2 m
Article	TRX001-111 TRX004-111	TRX001-112 TRX004-112
Mounting method	surface-mounted/suspended/ recessed	
Ingress Protection Code	IP20	
Climate category	Boreal climate (4)	
Operating temperature	0°C - +50°C	
Material	Aluminum	
Colour	black / white	
Rated voltage	AC 220-240V/50Hz	
Max. current	10A	
Electrical class	I	



TRX001-111 / TRX001-112



TRX004-111 / TRX004-112

2. GENERAL RECOMMENDATIONS AND PRECAUTIONS

All installation and mounting services must be rendered by persons with the appropriate permits and qualifications. Please contact a qualified electrician where necessary.

All installation and dismantling works should be performed in a powered down state only.

It is forbidden to operate the track without a protective ground conductor.

When building-up a track system, do not exceed the total current load of consumers of 10A.

Do not install the track at a height below 2.5 metres, or in places where accidental human contact with the track may occur.

Do not use the product if the housing and/or supply cable insulation is damaged.

The device is intended for indoor use only.

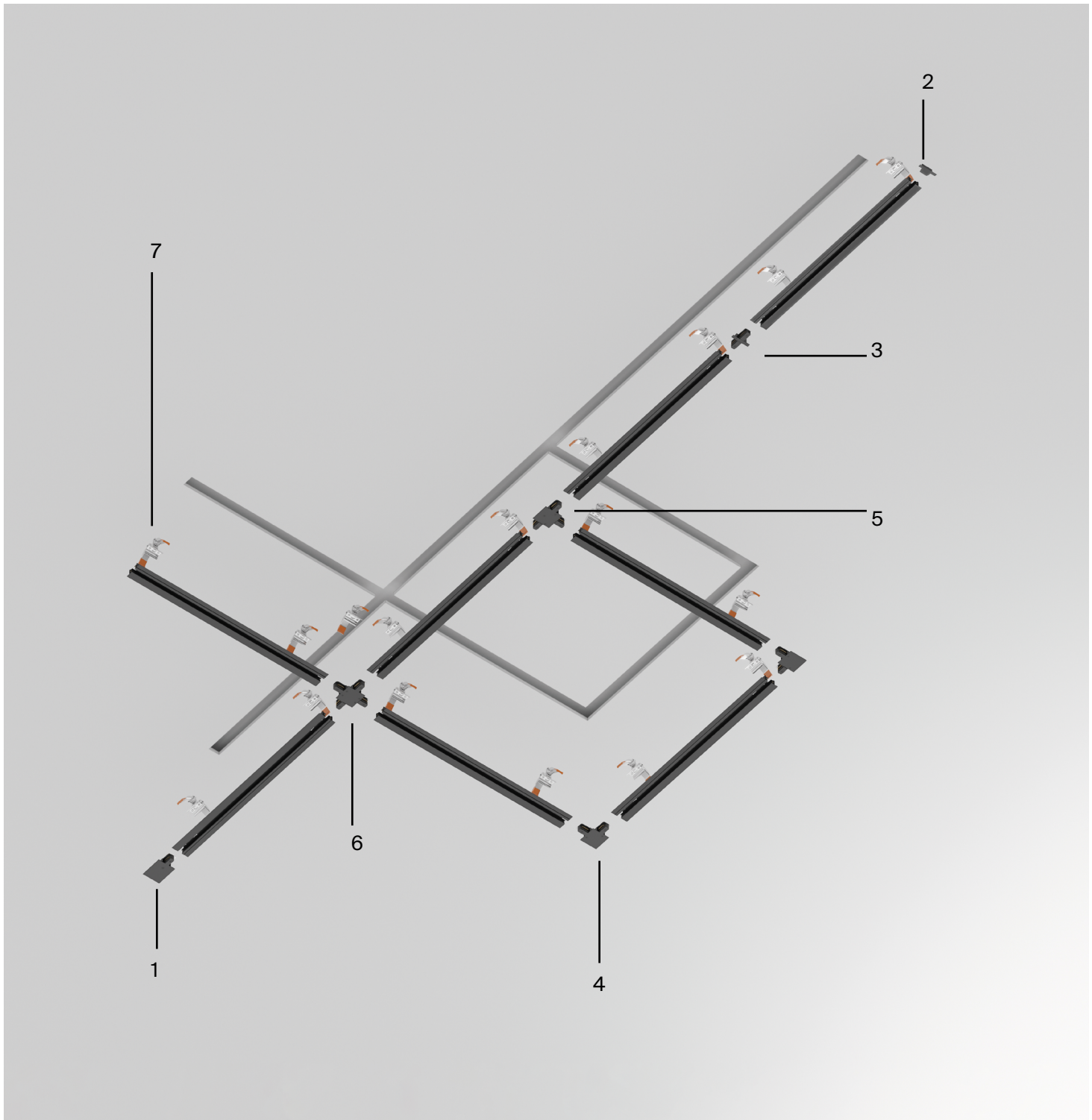
Do not use the device in rooms with high humidity and high levels of dust or aerosol particles in the air.

It is recommended to install luminaires in increments of no more than 25cm per 1m of track.

Max. mechanical stress for suspended installation: 5 kg.

Clean the device with a dry soft cloth with the mains power off. Do not use chemically aggressive cleaners.

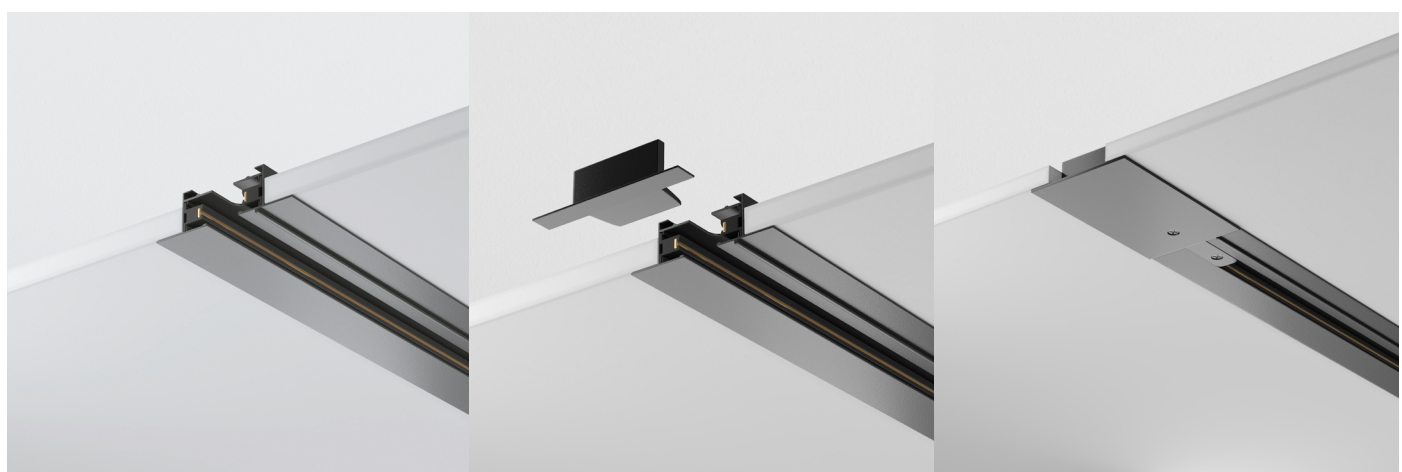
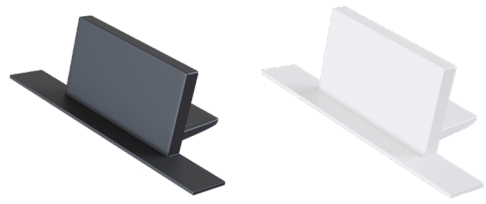
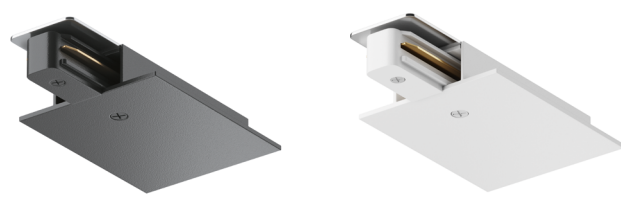
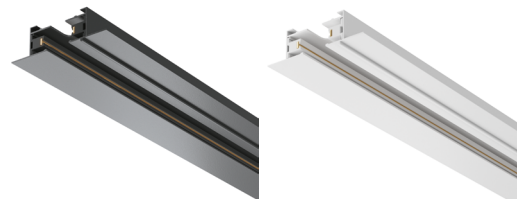
3. RECESSED INSTALLATION DIAGRAM







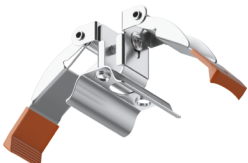
1 Power input TRA002B-11B TRA002B-11W	2 Plug TRA002EC-11B TRA002EC-11W	3 Straight connector TRA002C-11B TRA002C-11W	4 L-connector TRA002CL-11B TRA002CL-11W	5 T-connector TRA002CT-11B TRA002CT-11W	6 X-connector TRA002CX-11B TRA002CX-11W
7 Spring holder TRA002HR-11B					

3.1 ELEMENTS OF A SINGLE-PHASE TRACK SYSTEM FOR RECESSED INSTALLATION

SYSTEM ELEMENT	COLOUR	ARTICLE	SIZE
TRACK, PLUG AND POWER INPUT AS A SET	■ BLACK	TRX004-111B	H20 X W60 X L1000 mm
	□ WHITE	TRX004-111W	H20 X W60 X L1000 mm
	■ BLACK	TRX004-112B	H20 X W60 X L2000 mm
	□ WHITE	TRX004-112W	H20 X W60 X L2000 mm
POWER INPUT	■ BLACK	TRA002B-11B	20 X 60 X 117 mm
	□ WHITE	TRA002B-11W	20 X 60 X 117 mm
PLUG	■ BLACK	TRA002B-11B	20 X 60 X 37 mm
	□ WHITE	TRA002B-11W	20 X 60 X 37 mm



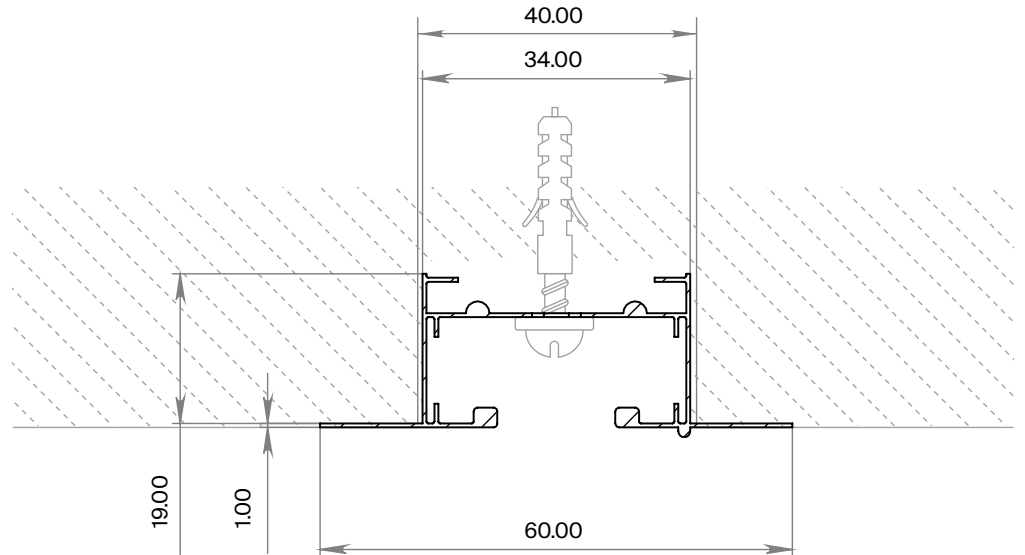
3.2 ELEMENTS OF A SINGLE-PHASE TRACK SYSTEM FOR RECESSED INSTALLATION

SYSTEM ELEMENT	COLOUR	ARTICLE	SIZE
STRAIGHT CONNECTOR	■ BLACK	TRA002C-11B	20 X 60 X 80 mm
	□ WHITE	TRA002C-11W	20 X 60 X 80 mm
			
ANGLE CONNECTOR	■ BLACK	TRA002CL-11B	20 X 95 X 95 mm
	□ WHITE	TRA002CL-11W	20 X 95 X 95 mm
			
T-CONNECTOR	■ BLACK	TRA002CT-11B	20 X 95 X 130 mm
	□ WHITE	TRA002CT-11W	20 X 95 X 130 mm
			
X-CONNECTOR	■ BLACK	TRA002CX-11B	20 X 130 X 130 mm
	□ WHITE	TRA002CX-11W	20 X 130 X 130 mm
			
SPRING HOLDER	■ SILVER	TRA002HR-11B	37 X 45 X 32 mm
			

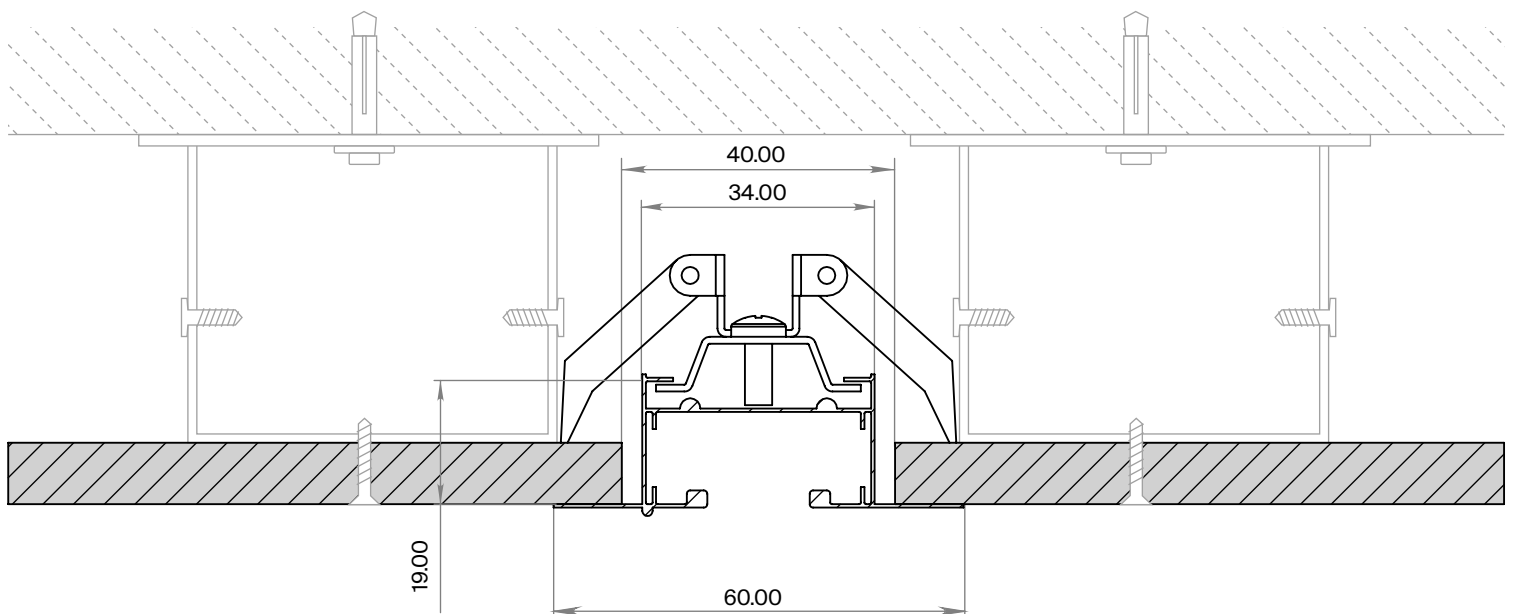
3.3 INSTALLATION DIAGRAM FOR RECESSED SINGLE-PHASE TRACK

The recessed single-phase track may be installed in a groove or a specially prepared recess and in a suspended ceiling made of gypsum boards. When installing a recessed track, select fasteners with due regard for the ceiling design.

TRACK INSTALLED IN A GROOVE OR RECESS



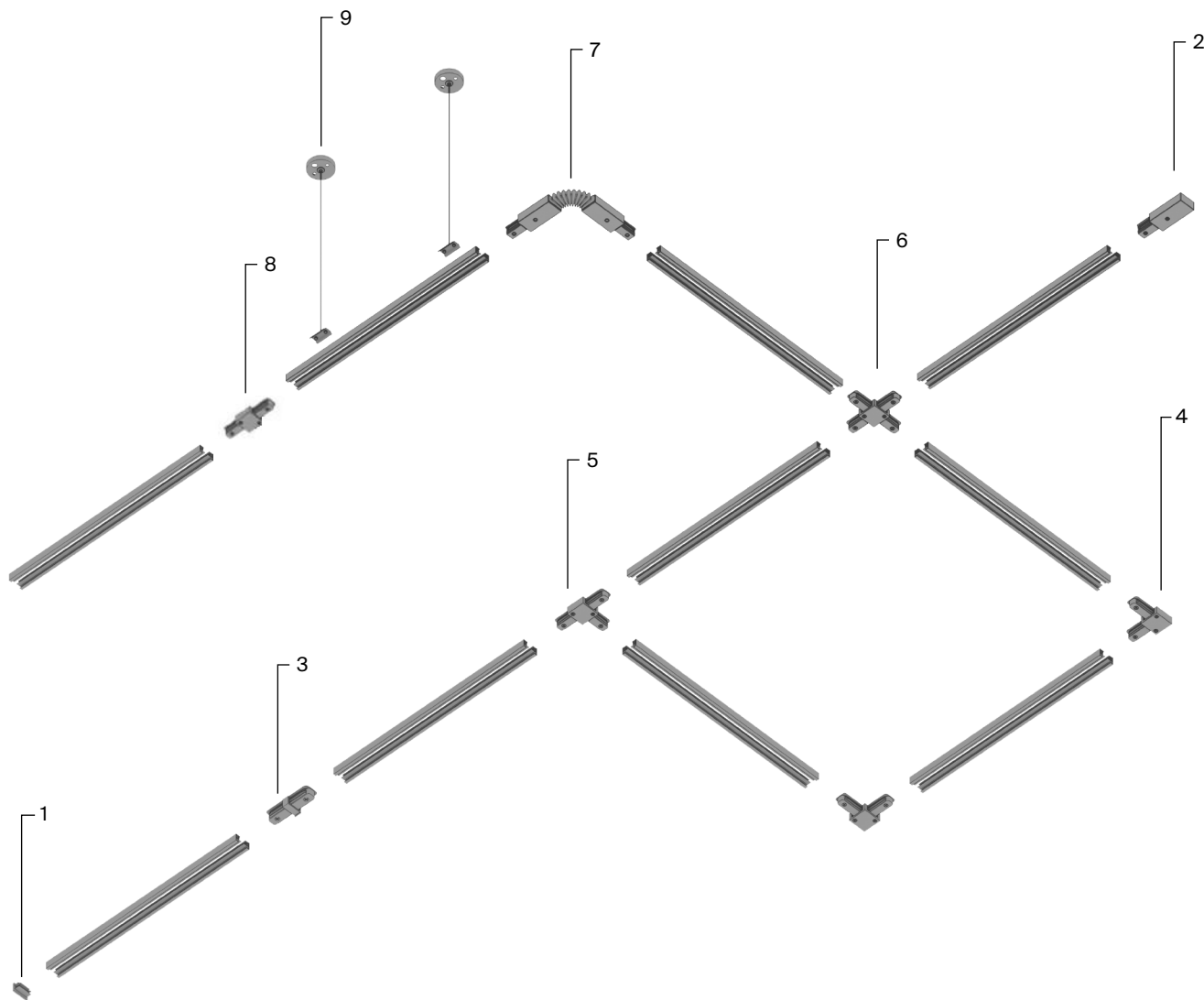
TRACK INSTALLED IN A GYPSUM BOARD CEILING



ATTENTION!

If you wish to install a recessed track in the gypsum board ceiling, use an additional accessory – holder TRA002HR-11B. The rules for installation of fasteners are given in the section «General recommendations and precautions».

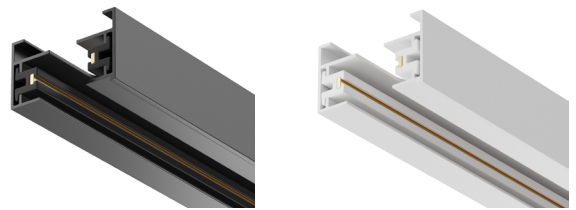
4. SURFACE-MOUNTED AND SUSPENDED SINGLE-PHASE TRACK DIAGRAM



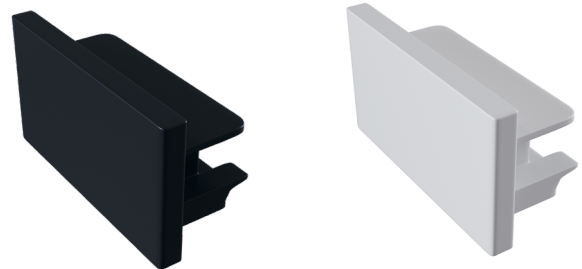
1 Plug TRA001EC-11B TRA001EC-11W	2 Power input TRA001B-11B TRA001B-11W	3 Straight connector TRA001C-11B TRA001C-11W	4 L-connector TRA001CL-11B TRA001CL-11W	5 T-connector TRA001CT-11B TRA001CT-11W	6 X-connector TRA001CX-11B TRA001CX-11W
7 Flexible connector TRA001CF-11B TRA001CF-11W	8 Medium power connector TRA001CB-11B TRA001CB-11W	9 Cable suspension TRA001CW-11B TRA001CW-11W			

4.1 ELEMENTS OF A SINGLE-PHASE TRACK SYSTEM FOR SURFACE-MOUNTED AND SUSPENDED INSTALLATION

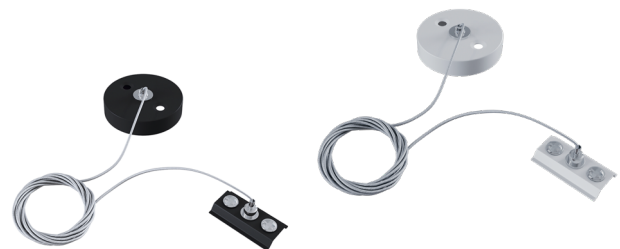
SYSTEM ELEMENT	COLOUR	ARTICLE	SIZE
TRACK, PLUG AND POWER INPUT AS A SET	■ BLACK	TRX001-111B	H20 X W34 X L1000 mm
	□ WHITE	TRX001-111W	H20 X W34 X L1000 mm
		TRX001-112B	H20 X W34 X L2000 mm
		TRX001-112W	H20 X W34 X L2000 mm



END PLUG	■ BLACK	TRA001EC-11B	23 X 23 X 38 mm
	□ WHITE	TRA001EC-11W	23 X 23 X 38 mm

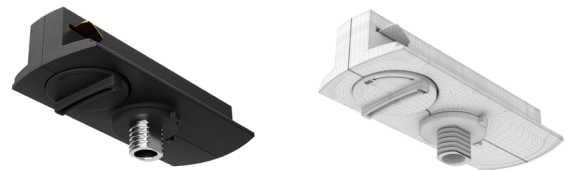


CABLE SUSPENSION	■ BLACK	TRA001CW-11B	32 X 32 X 2000 mm
	□ WHITE	TRA001CW-11W	32 X 32 X 2000 mm



4.2 CONNECTORS FOR MOUNTING SUSPENDED LAMPS ON A SINGLE-PHASE TRACK

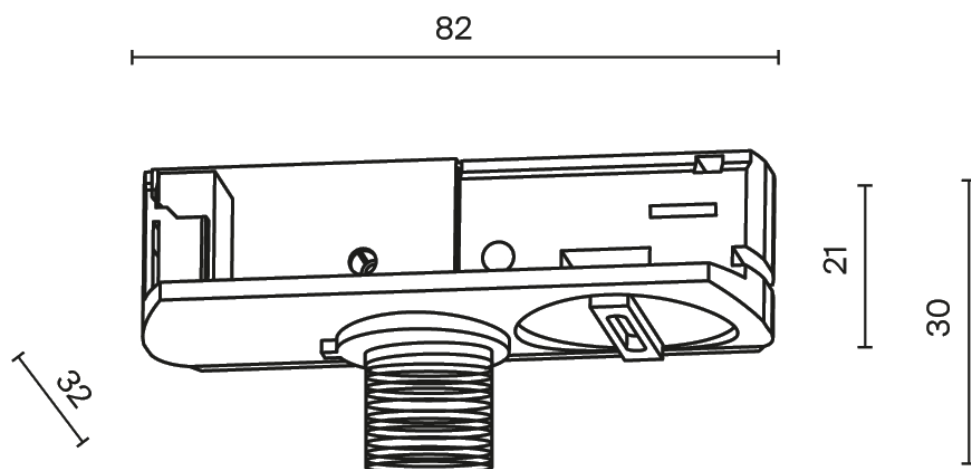
SYSTEM ELEMENT	COLOUR	ARTICLE
UNITY TRACK CONNECTOR*	■ BLACK	TRA011-1-A-B
	□ WHITE	TRA011-1-A-W

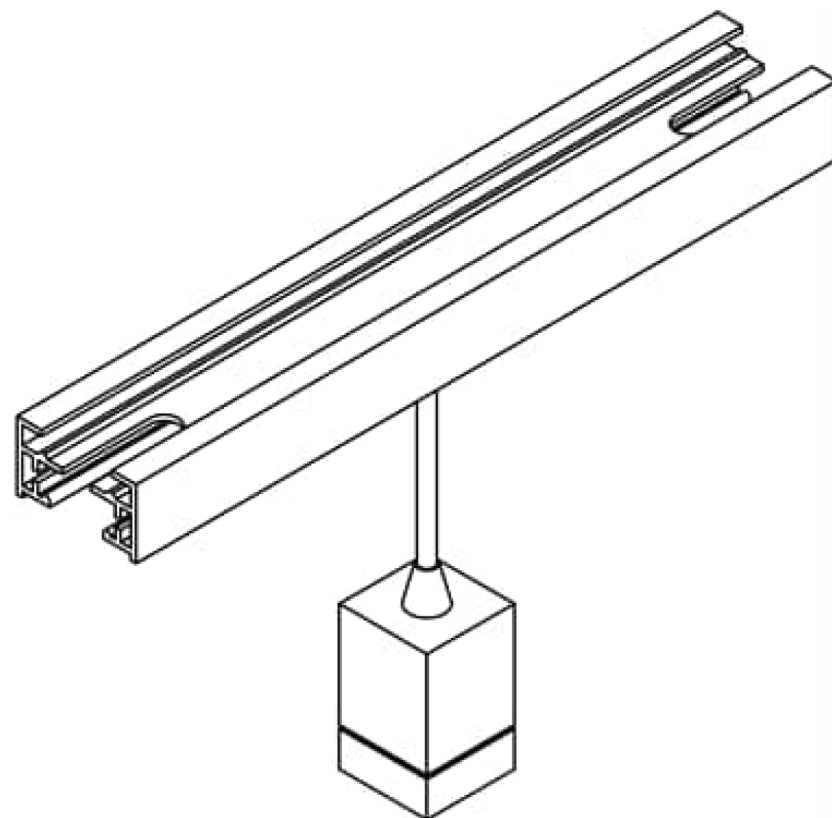
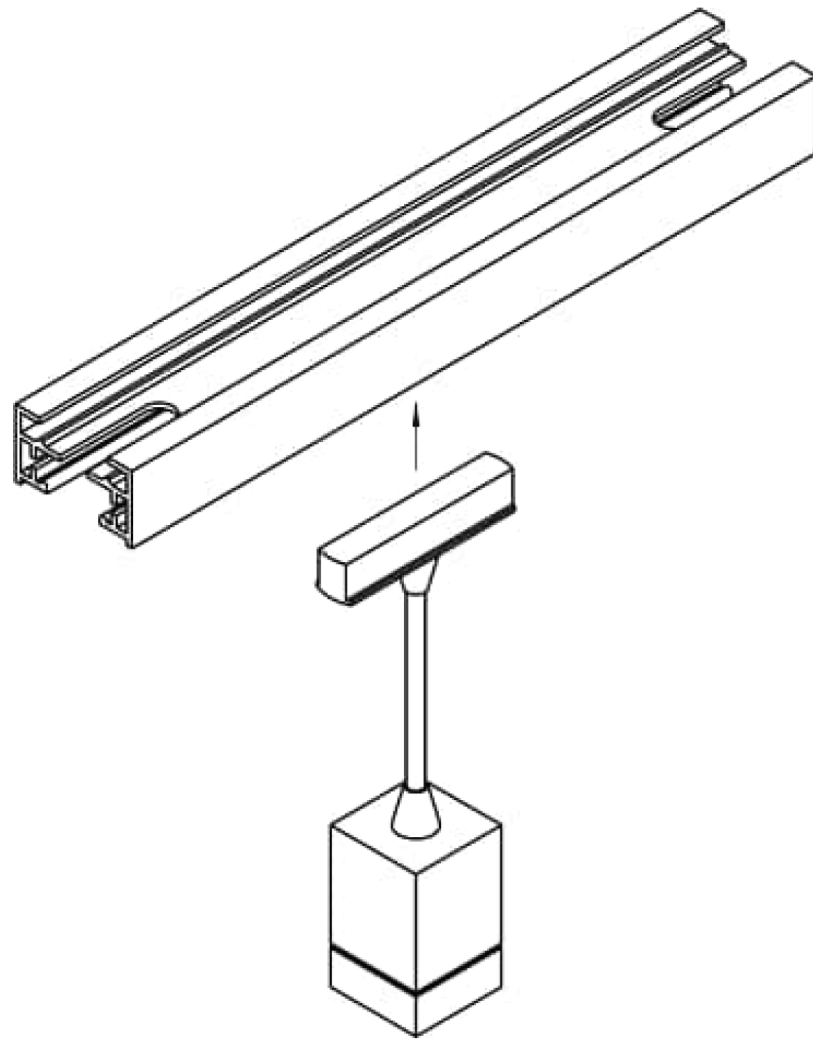


*These connectors are designed to convert suspended ceiling luminaires into suspended track luminaires.

To do this you need to:

Dismantle the ceiling bowl of the luminaire and cut the wire of the suspended ceiling luminaire to the required size (this is not necessary, if you are satisfied with the standard length of the wire). Disassemble the connector and insert the wire into the connector. Solder the wires to the connector pins. Clamp the wire with a special clamp;





4.3 ELEMENTS OF A SINGLE-PHASE TRACK SYSTEM FOR SURFACE-MOUNTED AND SUSPENDED INSTALLATION

SYSTEM ELEMENT	COLOUR	ARTICLE	SIZE
POWER INPUT	■ BLACK	TRA001B-11B	H22 X W38 X L112 mm
	□ WHITE	TRA001B-11W	H22 X W38 X L112 mm
			
STRAIGHT CONNECTOR	■ BLACK	TRA001C-11B	H20 X W33 X L171 mm
	□ WHITE	TRA001C-11W	H20 X W33 X L171 mm
			
ANGLE CONNECTOR	■ BLACK	TRA001CF-11B	20 X 95 X 130 mm
	□ WHITE	TRA001CF-11W	20 X 95 X 130 mm
			
FLEXIBLE CONNECTOR*	■ BLACK	TRA002CX-11B	H20 X W35 X L280 mm
	□ WHITE	TRA002CX-11W	H20 X W35 X L280 mm
			
T-CONNECTOR	■ BLACK	TRA001CT-11B	H70 X W17 X L106 mm
	□ WHITE	TRA001CT-11W	H70 X W17 X L106 mm
			
X-CONNECTOR	■ BLACK	TRA001CX-11B	H23 X W110 X L110 mm
	□ WHITE	TRA001CX-11W	H23 X W110 X L110 mm
			
MEDIUM POWER CONNECTOR	■ BLACK	TRA001CB-11B	H19 X W33 X L143 MM
	□ WHITE	TRA001CB-11W	H19 X W33 X L143 MM
			

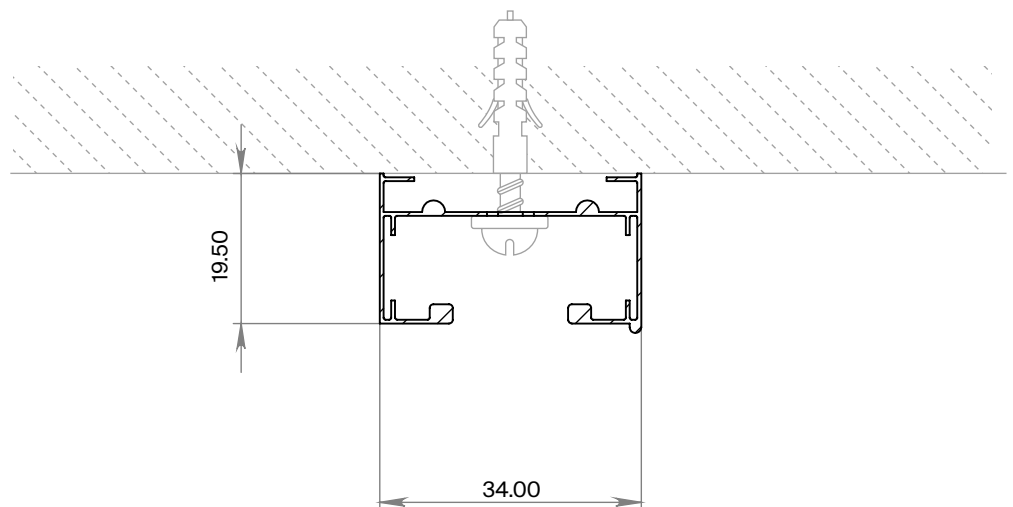
*Power can be supplied through a flexible connector.

5. INSTALLATION PLAN FOR A SURFACE-MOUNTED SINGLE-PHASE TRACK

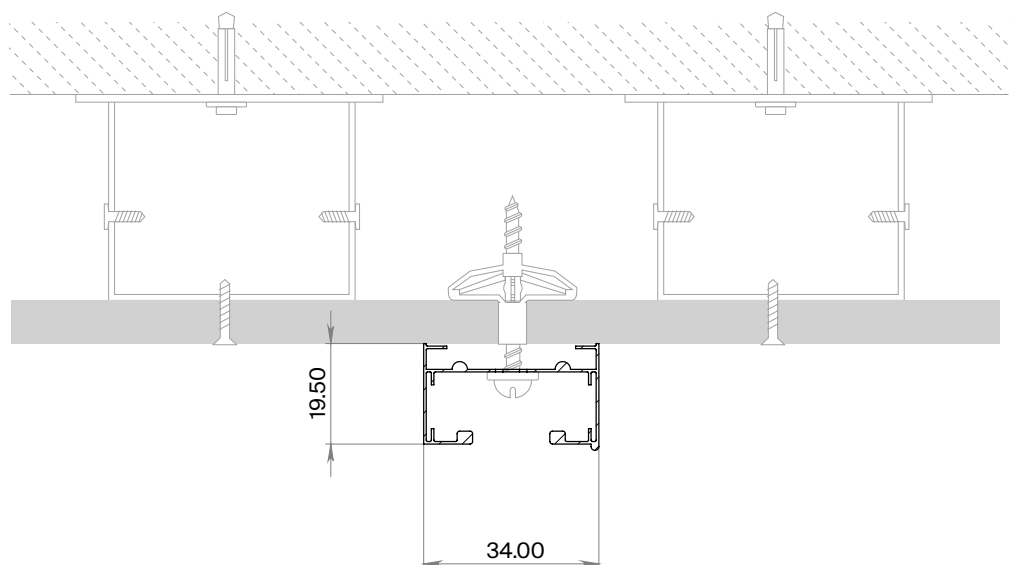
The surface-mounted single-phase track may be installed on any hard surface made of normally flammable materials. During the installation, carefully prepare and correctly mark the mounting surface to avoid bending moments that may cause deformation of the track.

When installing the surface-mounted track, select the appropriate fasteners based on the material of the mounting surface.

TRACK INSTALLED ON A CONCRETE CEILING



TRACK INSTALLED ON A GYPSUM BOARD CEILING



ATTENTION!

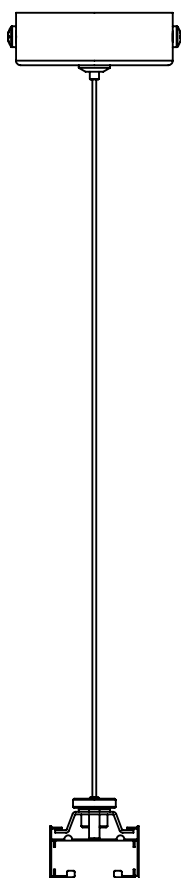
Do not tighten the screws at high screwdriver speed and do not tighten until it stops to avoid deformation of the track. The rules for installation of fasteners are given in the section «General recommendations and precautions».

6. INSTALLATION PLAN FOR A SURFACE-MOUNTED SINGLE-PHASE SUSPENDED TRACK

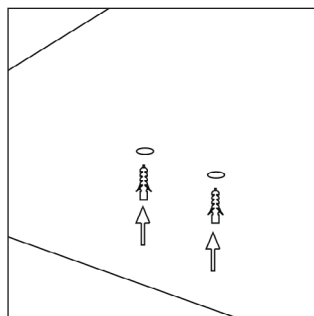
The surface-mounted single-phase track can be installed in a suspended way on a concrete ceiling and plasterboard suspended ceiling as well as other types of ceiling provided that necessary embedded parts are available and sufficient firmness of construction materials is secured. When suspending the surface-mounted track, select fasteners that are appropriate for the material of the ceiling.

For the suspended mounting of the track, use special suspension kits TRA001CW-11B / TRA001CW-11W, consisting of a rope with an end locking element to adjust its length, the bracket and ceiling bowl.

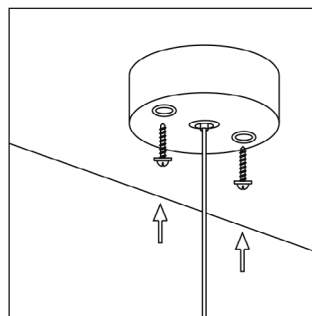
INSTALLATION OF PENDANT MOUNTED SINGLE-PHASE TRACK USING A SUSPENSION MOUNT



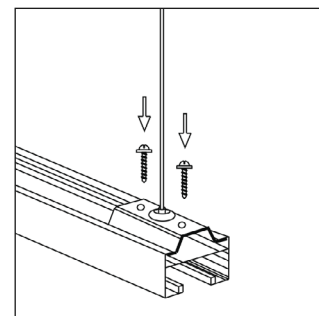
1. Unpack the track and visually check for possible defects.
2. Mark the installation locations and prepare the mounting brackets for their subsequent fixation on the track.
3. Fix the ceiling bowl on the ceiling.
4. Insert the rope into the collet on the mounting bracket and adjust the length.
5. Cut off the unnecessary part of the rope.
6. Fix the bracket on the track with the screws located on top.
7. Use the carpenter level to check the levelness, if necessary, adjust the length of the ropes.



Prepare the mounting surface.
Mark and drill the holes.
Insert the dowels into the holes.



Attach the ceiling bowl.
Fix it with screws.



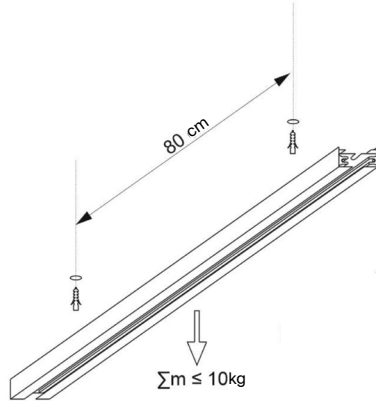
Adjust the installation height
using the collet fixtures.
Push the plate into the groove on
the back side of the track.
Fix the plate with screws.

ATTENTION!

During suspended installation of several connected segments of the track, they should be placed strictly in a horizontal plane, avoiding skewness and uneven tension of the cables. For hanging a round track, the minimum number of cables is three with the same distance between them. When choosing long track lighting circuits, it is better to opt for a three-phase Trinity system, as its design provides a higher degree of rigidity.

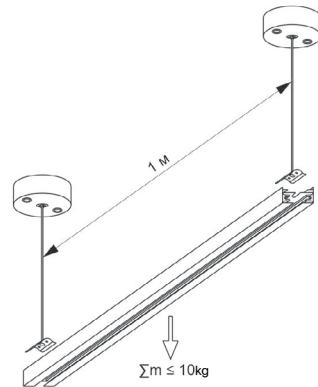
7. ADDITIONAL LOADS AND LOCATION OF FASTENERS

HARD SURFACE MOUNTING



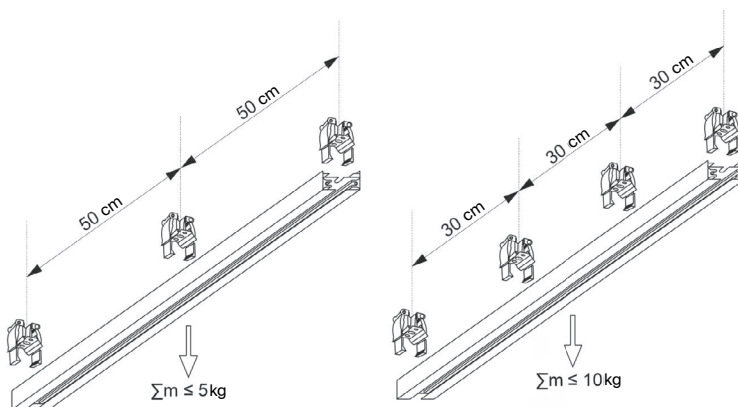
The recommended distance between lamps is 25 cm. The maximum permissible load on the surface-mounted track installed using suspension fasteners is 10 kg per 1 metre.

PENDANT MOUNTING



The recommended distance between luminaires is 25 cm. The maximum permissible load on the surface-mounted track installed using suspension fasteners is 10 kg per 1 metre. To evenly distribute the luminaire weight on the TRX002-111 track models, use 4 hangers.

RECESSED INSTALLATION USING SPRING HOLDERS

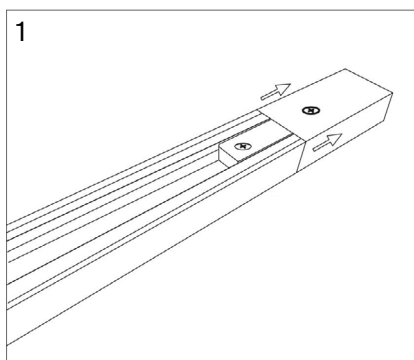


The distance between the holders is selected based on the weight of installed luminaires. The luminaire weight at 1 metre ≤ 5 kg -the distance between holders is 50 cm. The luminaire weight at 1 metre ≤ 10 kg – the distance between holders is 30 cm. The recommended distance between luminaires is 25 cm. The max. permissible load on the recessed track installed using holders is 10 kg per 1 metre.

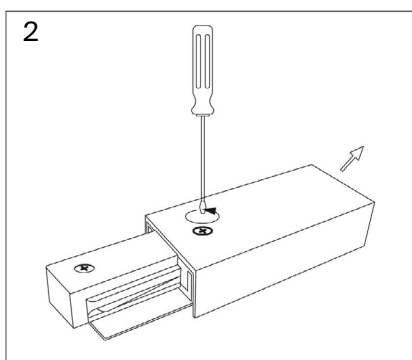
8. CONNECTION OF A SINGLE-PHASE TRACK TO POWER SUPPLY

A single-phase track of all types is connected to a 230V 50Hz AC mains through a power lead-in. The relevant end power lead-in is included with delivery of each track segment.

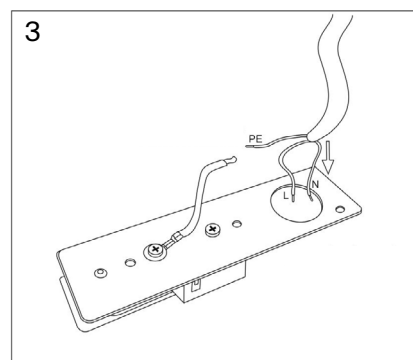
1. Before connecting the track, make sure to de-energize the supply cable. Remove the track from the packaging, make sure that the housing and current-carrying parts are not damaged. Disconnect the power lead from the track.
2. Remove the screw on the front side of the power lead using a screwdriver and remove the plastic cover.
3. Lay the three-core cable to the track installation site. Connect the protective ground wire to the yellow-green wire on the power lead housing. Pull the phase and neutral wires through the hole in the back side of the power input.
4. Fasten the phase and neutral conductors on the contact plates using clamping screws.
5. Close the power lead by taking steps stated in clause 2 in reverse order.
6. Insert the connected power input into the track. Install the track in the most relevant way.
7. It is also possible to supply power through the flexible connector TRA001CF-11.



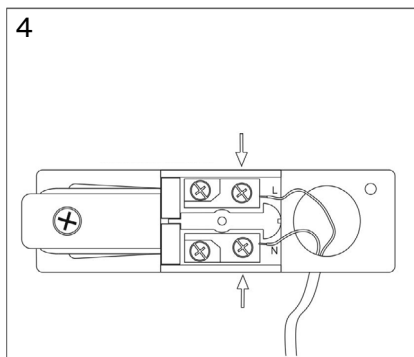
Remove the track from the packaging, make sure that the housing and current-carrying parts are not damaged. Disconnect the power input from the track.



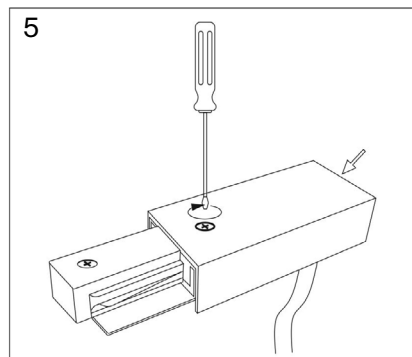
Remove the screw on the front side of the power input using a screwdriver and remove the plastic cover.



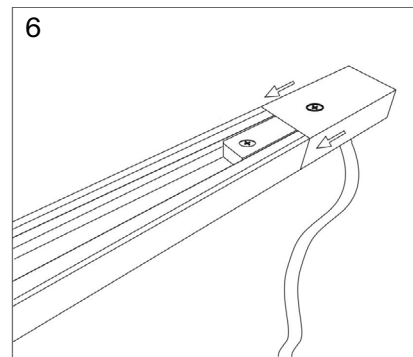
Lay the three-core cable to the track installation site. Connect the protective ground wire to the yellow-green wire on the power input housing. Pull the phase and neutral wires through the hole in the back side of the power input.



Fasten the phase and neutral conductors on the contact plates using clamping screws.



Close the cover. Secure the cover with a screw on the front of power input.



Insert the connected power input into the track. Install the track in the most appropriate way.

9. ADDITIONAL INFORMATION

9.1 TROUBLESHOOTING

Malfunction	Cause	Troubleshooting
The luminaire does not work	No contact in joints	Install the lamp on the track until the adapter is in full contact with the current-carrying cores Inspect the input cable connection terminals, the connection of the power input terminals to the track, and other connections
	Luminaire failure	Contact the seller for warranty service or replacement
The light is flashing or dimly lit when off	To control the lighting circuit, a switch with key backlighting is installed, or a motion (light) detector is used	Replace the switch with a model without key backlighting, or which has an additional resistor in its design. Use motion (light) detector only with relay output
Unstable glow, flickering, extraneous sound	A dimmer is installed in the power circuit	Remove the dimmer from the circuit, replace it with a switch
	The luminaire driver is faulty	Contact the seller for warranty service or replacement

9.2 STORAGE

The goods are stored in packaging indoors in a non-aggressive environment. Storage temperature in the range from -20°C to +70°C and relative air humidity not more than 95%. Do not expose directly to moisture.

9.3 TRANSPORTATION

The packaged product is suitable for transportation by sea, rail, road and air.

9.4 DISPOSAL

Do not dispose the product with the regular household waste! Products must be disposed according to the directive on electrical and electronic devices at local collection points for such devices!

9.5 CERTIFICATION

Safety Standards, Regulations, Requirements EC.

9.6 WARRANTY

The warranty for the product is 24 months from the date of sale, which is established per the sale documentation.

Warranty service is provided if the malfunction occurred due to the defect in workmanship, and also subject to all the rules of operation, transportation and storage given in this manual.

The warranty is not valid in the following cases: if the product has been used for purposes that do not correspond to its intended use; the defect arose after the transfer of the goods to the consumer and is caused by incorrect or careless handling, non-compliance with the requirements given in this manual. And also in cases of force majeure, including: fire, flood, high-voltage discharges and other natural disasters, accidents and deliberate actions of third parties that caused the product to malfunction.

9.7 MANUFACTURER

Maytoni GmbH, Feldstiege 98, Münster, Germany, 48161

9.8 IMPORTER

Maytoni GmbH, Feldstiege 98, Münster, Germany, 48161
www.maytoni.de
Developed in Germany.
Made in China.
No expiry date.

